

Boost your business growth



smart **b**usiness **p**artner

Easy-to-Use Interface

Operating the MFP is easy and intuitive with the full-flat 4.0-inch colour LCD touchscreen. The function icons incorporate a simple, straightforward design.

Information LED

Next to the control panel is an LED lamp that lights up in blue or orange. It notifies you—even from a distance—of the status of the MFP.

Automatic Document Feeding

The RSPF (reversing single pass feeder) efficiently feeds in either one- or two-sided originals—in batches of up to 100 sheets. With a scanning speed of up to 38 opm*¹ (one-sided), the MFP can complete large jobs with ease and efficiency.

Wireless LAN Connections (option)

Wireless connectivity enables easy access from mobile devices and flexible MFP placement. The MFP also supports Wi-Fi Direct® and Wi-Fi Protected Setup™.

Link Mobile Devices

Mobile devices installed with the Sharpdesk Mobile application*² can connect directly to the MFP for printing or downloading scanned data. The MFP also supports AirPrint and the Sharp Print Service Plugin.

Handy Copier Functions

The MFP comes standard with such image-editing functions as ID card copy, margin shift, edge/centre erase, and dual page copy—all of which make copying more convenient.

1200 x 1200 dpi Printing

The MFP delivers razor-sharp 1,200 dpi printing. Detailed graphs, fine lines, and small text come out crisp and clear.

PostScript 3 Emulation

The MFP comes standard with PostScript 3 emulation. This enables printing from a wide range of devices and improves how the MFP processes fonts and graphics. Text and images are handled as vector graphics, so they won't become jagged or blurry when scaled up or down. And high-quality font rendering enables small fonts to be printed out clearly.

Front USB Port

At the front of the MFP is a USB port for printing directly from or scanning directly to a USB drive—perfect when you need quick access without a PC. Simply insert a USB drive into the USB port and a command screen will automatically pop up on the LCD.

Online Firmware Updates

The MFP's firmware can be automatically updated—without the need for service operation—via a firmware update service. That way you're always using the latest system for your MFP.

Solid Security

A range of security features keep your information safe, both on the MFP and across your network. There's user authentication, data encryption and erasure, TLS 1.3/SMB 3.1.1 support, and a Confidential Print feature for up to 100 print jobs. Confidential Print holds your print job until you enter a PIN code at the MFP.

*1: Originals per minute; when feeding A4 (8 1/2" x 11") sheets.

*2: Availability varies by country/region.

SPECIFICATIONS

General

Type	Desktop
Engine speed	A4 (8 1/2" x 11")*1: Max. 22 ppm A3 (11" x 17"): Max. 12 ppm
Control panel display	4.0-inch colour LCD touchscreen
Paper size	Max. A3 (11" x 17"), min. A6 (5 1/2" x 8 1/2")*2
Paper capacity (80 g/m ²)	Standard: 350 sheets (250-sheet tray and 100-sheet multi bypass tray) Maximum: 850 sheets (350 sheets & optional 500-sheet tray)
Paper weight	Tray 1: 60 g/m ² to 105 g/m ² (16 lbs bond to 28 lbs bond) Tray 2 (BP-CS15): 60 g/m ² to 200 g/m ² (16 lbs bond to 110 lbs index) Multi bypass tray: 55 g/m ² to 200 g/m ² (13 lbs bond to 110 lbs index)
Warm-up time*3	25 sec.
Memory	2 GB (copy/print shared) 16 GB eMMC
Power requirements	Rated local AC voltage ±10%, 50/60 Hz
Power consumption	Max. 1.2 kW
Dimensions (W x D x H)	599 x 572 x 639 mm (23 19/32" x 22 17/32" x 25 11/64")
Weight (approx.)	31 kg (68.4 lbs)

Copier

Original paper size	Max. A3 (11" x 17")
First copy time*4	6.4 sec.
Continuous copy	Max. 999 copies
Resolution	Scan: 600 x 600 dpi, 600 x 400 dpi Print: 600 x 600 dpi Equivalent to 256 levels
Gradation	
Zoom range	25% to 400% (25% to 200% using RSPF) in 1% increments
Preset copy ratios	Metric: 10 ratios (5R/5E), inch: 8 ratios (4R/4E)

Scanner

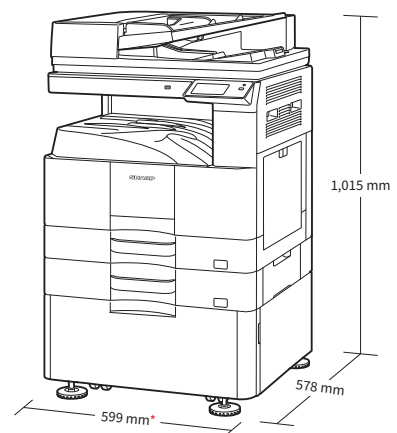
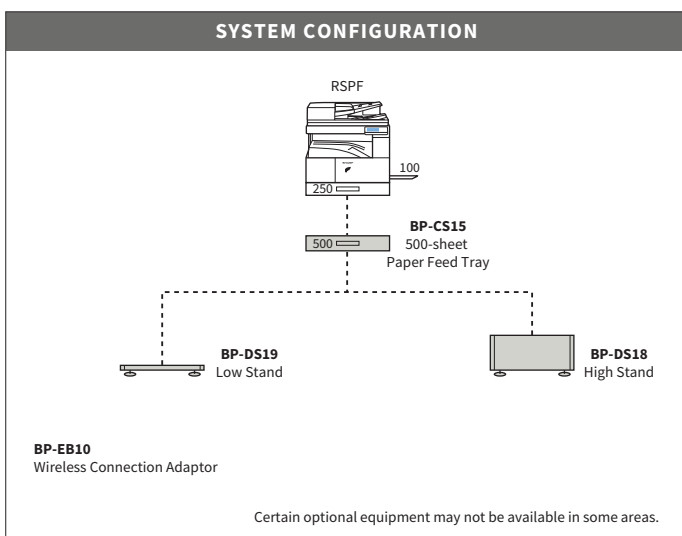
Scan method	Push scan (via control panel) Pull scan (TWAIN-compliant application)
Scan speed*5	Colour & B/W: Max. 38 originals/min.
Resolution	Push scan: 100, 150, 200, 300, 400, 600 dpi Pull scan: 75, 100, 150, 200, 300, 400, 600 dpi 50 dpi to 9,600 dpi via user setting
File formats	TIFF, PDF, JPEG*6
Scan destinations	Email/desktop*7/FTP server/network folder (SMB)/ USB drive

Printer

Resolution	1,200 x 1,200 dpi*8, 600 x 600 dpi
Interface	USB 2.0 (host, high-speed), 10Base-T/100Base-TX/1000Base-T, wireless LAN (IEEE 802.11 a/b/g/n/ac)*9
Supported OS	Windows Server 2016, Windows Server 2019, Windows Server 2022, Windows Server 2025, Windows 11 Mac OS 10.15, 11, 12, 13, 14, 15, 26
Network protocols	TCP/IP
Printing protocols	LPR, Raw TCP (port 9100), FTP for downloading print files, IPP, SMB, WSD
PDL	PCL 6 emulation, PostScript 3 emulation
Available fonts	80 fonts for PCL, 136 fonts for PostScript 3 emulation

- *1: Long-edge feeding.
- *2: Short-edge feeding only.
- *3: In a standard measurement environment. May vary depending on operating conditions and environment.
- *4: Long-edge feeding of A4 (8 1/2" x 11") sheets from 1st paper tray. May vary depending on operating conditions and environment.
- *5: Scan speed will vary depending on the type of document and the scan settings. Based on Sharp's A4 standard chart, using document feeder, long-edge feeding, one-sided scanning, and factory default settings.
- *6: Colour/greyscale only.
- *7: Requires Network Scanner Tool Lite.
- *8: Print speed will decrease at 1,200 x 1,200 dpi.
- *9: Requires optional BP-EB10. Availability of this option varies by country/region.

- Design and specifications are subject to change without prior notice.
- Wi-Fi Direct is a registered trademark of Wi-Fi Alliance®. Wi-Fi Protected Setup is a trademark of Wi-Fi Alliance®. AirPrint and Mac are trademarks of Apple Inc., registered in the US and other countries. PostScript is either a registered trademark or trademark of Adobe in the US and/or other countries. Windows and Windows Server are trademarks of the Microsoft group of companies. All other brand names and product names may be trademarks or registered trademarks of their respective owners.



*909 mm when multi bypass tray is extended.

Shown with optional equipment.

Distributed by:

SHARP